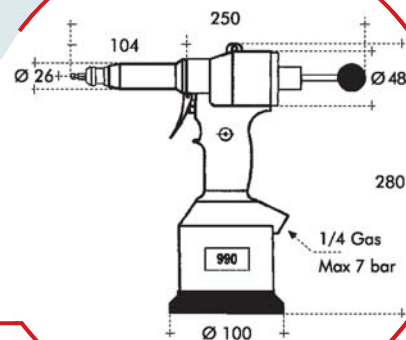


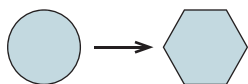
# RIV990 Hydropneumatic hexcutter tool for hex holes from M4 to M10



**Code 2986300**

To place hexagonal RIVSERT rivet nuts from M4 to M10.

A round off system, thanks to a special punch housed in the front of the head, **can easily transform a round hole into a hexagonal one.** This allows the use of hexagonal rivet nuts on already folded profiles and on metal boxes.



## Optional

Hexagonal rivet nut	Punch code	Die code
* M4	<b>4196900</b>	-
M5	<b>2974900</b>	<b>2975300</b>
M6	<b>2925000</b>	<b>2925100</b>
M8	<b>2975000</b>	<b>2975400</b>
** M10	<b>2975100</b>	<b>2975500</b>

\* Complete kit supplied with hex. die 6 + punch for M4 rivet nut.

\*\* Complete kit supplied with hex. die 13 + punch for M10 rivet nut (4520500).



Punch + die

Die

Punch

## Examples of application



RIV990 is supplied in a case without punches and dies. Order the proper punch and die separately, according to the size of the rivet nut to be placed (see the table for optional accessories).

## Technical data and features

Air working pressure	<b>6 bar</b>
Min-max air pressure	<b>5/7 bar</b>
Air consumption per cycle (6 bar)	<b>2.5 lt</b>
Stroke	<b>6 mm</b>
Max power (6 bar)	<b>19000 N</b>
Weight (without kit)	<b>2.133 Kg</b>
Vibrations	<b>&lt; 2,5 m/s<sup>2</sup></b>
Noise level	<b>&lt; 80 dB (A)</b>

Size	○ Predrilled	⬡ Hexagon
M4	6.25	6
M5	7.25	7
M6	* 9.25-9.50	9
M8	* 11.25-11.50	11
M10	* 13.25-13.50	13

\* Depending on the thickness of the used material.

## Sheet metal thickness

Size	Aluminium	Steel	S/Steel
M4	0.5-2.5	0.5-1.5	0.5-1.5
M5	0.5-4.5	0.5-3.0	0.5-1.5
M6	0.5-4.5	0.5-3.0	0.5-1.5
M8	0.5-4.5	0.5-3.0	0.5-1.5
M10	0.5-4.5	0.5-3.0	0.5-1.5

